

HAGLUND INDUSTRI

REFRIGERATORS & FREEZER CABINETS

2024



HAGLUND INDUSTRI
KYLA | ALLA FORMER

150 YEARS OF INNOVATION CAN BE SEEN IN THE DETAILS

For five generations, the Haglund family has had its own production at the factory in Sweden. From the early sheet metal workshop to today's high-quality refrigerators, the basic recipe has remained the same: listen to customers, pay attention to details and never stop developing technology and functionality. This tradition is what's built into all our products, giving them a finish and durability that makes us slightly unique. The products are also thoroughly tested, first by us and then by our customers. Try for yourself and notice the difference.

FEEL FREE TO CONTACT US FOR A ESTIMATE

Every restaurant and hospitality establishment has its own needs and specific requirements. We are happy to help you find a solution that suits your needs the best. Call or email us and tell us what you need and we will give you a proposal and ON REQUEST.

EMAIL US: SALES@HAGLUNDINDUSTRI.SE

OR CALL: +46 (0) 321-29 990

3 VERTICAL REFRIGERATORS & FREEZER CABINETS

5 BRIS 600

7 BRIS 850

9 BRIS GENERATION VI

10 ACCESSORIES BRIS CABINETS

11 BRIS C02



**HAGLUND
INDUSTRI**
KYLA I ALLA FORMER



REFRIGERATORS & FREEZERS

BRIS 600 / BRIS 600 COMBI / BRIS 850 / BRIS 850 COMBI / BRIS 600 BAKERY CABINET

OUR BRIS REFRIGERATOR AND FREEZER CABINET SERIES HAS BEEN DEVELOPED AND REFINED OVER MANY YEARS. OUR GOAL HAS BEEN TO DEVELOP THE MOST ENERGY-EFFICIENT CABINETS ON THE MARKET WITH A BUILD QUALITY WE ARE PROUD OF. THE MATERIALS WE USE ARE ALWAYS HIGH QUALITY AND OPTIMISED FOR THE LOWEST POSSIBLE ENERGY CONSUMPTION. WE WANT TO MAKE SURE THAT OUR PROFESSIONAL KITCHEN CUSTOMERS HAVE THE BEST EQUIPMENT FOR SUCCESSFUL, HIGH-QUALITY COOKING!

BRIS: THINK LONG-TERM, THINK HIGH-QUALITY

REPLACEABLE MAGNETIC STRIP

The magnetic strips in the door are easy to clean and can be replaced easily by hand if necessary.



PROPANE

Our cabinets are supplied with the refrigerant Propane (R-290). Propane is an environmentally friendly refrigerant with minimal impact on global warming.



ADJUSTABLE LEGS

130–180 mm

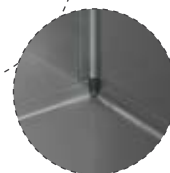


CONTROL

Temperature control is managed by an electronic control unit with LED display, which is supplied as standard with functions for smart defrosting, temperature monitoring and the electronic control of fans and LED lighting.

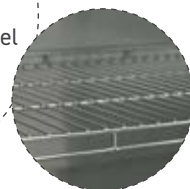
ROUNDED INTERIOR CORNERS

For easy cleaning, the cabinets are free from hard-to-clean recesses.



STAINLESS STEEL GRID SHELVES

Our cabinets are always supplied with stainless steel grid shelves mounted on adjustable guides.



SPEED-CONTROLLED LOW-ENERGY FANS

The main advantages of these fans include lower energy consumption and reduced dehydration of the products. The improvement in noise level and working environment is a bonus.

ENERGY-OPTIMISED INSULATION WITH LOW U-VALUE

The cabinets are insulated with at least 60 mm of polyurethane to ensure that the cabinet is as energy efficient as possible.

REINFORCED DOOR / CHASSIS

For extra durability, the cabinets are supplied with a sturdier sheet metal in the door and chassis.

HYGIENIC, TIGHT SEALS

For the durability of the cabinet it is important that it remains hygienic and unnecessary dust doesn't get into the machinery enclosure. Therefore, the top side is tightly sealed and hygienic and there is a smooth front.

INTEGRATED EVAPORATOR

The evaporator is integrated into the cabinet's technical compartment. This means that the useful volume of the cabinet is increased while airflow is optimised to save energy.

SMART CONDENSATE EVAPORATOR TRAY

The clever design of the evaporator tray means that it can be removed without tools for easy cleaning. Recovered heat from the compressor is used to evaporate the water.

LED LIGHTING

We use LED lighting in all our cabinets, which has many advantages:

- Easy to clean because it is integrated.
- Water and dust resistant.
- Lifetime of > 50 000 h means that it will probably never need to be replaced.
- Energy consumption up to 85% lower.
- Even light distribution.



4 REASONS TO CHOOSE A BRIS CABINET

1. ENERGY-EFFICIENT COOLING SYSTEM

With an expansion valve as standard, Propane (R-290) as a refrigerant, and cooling air taken to the condenser from the floor, BRIS provides high efficiency with low energy consumption in all climate conditions. The technology also allows for placement against the wall as the back is ventilated.

2. STAINLESS STEEL GRID SHELVES

5 stainless steel grid shelves mounted on removable stainless steel guides that are stylish, practical and durable are supplied as standard.

3. EXTRA VOLUME

Space is often limited in a kitchen, but with our cabinets you make the most of the interior volume. The design provides maximum space for refrigerated products.

4. ENVIRONMENTALLY FRIENDLY REFRIGERANT

All our products can be supplied modified for an environmentally friendly refrigerant such as CO₂, Brine or any other refrigerant available on the market, if you can't find it in the catalogue please send us an inquiry.



ECO-FRIENDLY



BRIS 600

REFRIGERATORS FREEZERS

BUILT-IN UNIT

MODEL	TYPE	DIM (mm)
BRIS-600KA	REFRIGERATOR	600x765x2160
BRIS-600UA	EXTENDED REFRIGERATOR*	600x765x2160
BRIS-600FA	FREEZER	600x765x2160 **

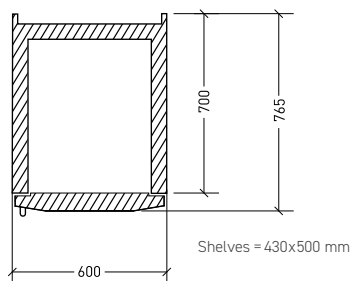
REMOTE COOLING UNIT

MODEL	TYPE	DIM (mm)
BRIS-600KC	REFRIGERATOR	600x765x2160
BRIS-600UC	EXTENDED REFRIGERATOR*	600x765x2160
BRIS-600FC	FREEZER	600x765x2160
BRIS-600KCL	REFRIGERATOR	600x765x1950
BRIS-600FCL	FREEZER	600x765x1950

STANDARD: LOCK / MADE OF ENTIRELY STAINLESS STEEL / 5 STAINLESS STEEL GRID SHELVES / EVAPORATOR TRAY IN STAINLESS STEEL / PROTECTIVE COATED EVAPORATOR / HYGIENE TOP COVER (REMOTE COOLING UNIT) / LOW-ENERGY FAN

*Electrical defrosting, thawing function and dry cooling, temperature range = -5°C – +12°C.

Cabinets with remote cooling unit can be supplied for all refrigerants available on the market, either with a thermal expansion valve or an electronic expansion valve. The includes valve for R-452A (freezer) or R-134a (refrigerator).



BRIS 600



ADJUSTABLE LEGS
130–180 mm

**LOW SOUND,
PLEASANTLY QUIET**

The BRIS series is equipped with speed-controlled fans with sound-optimised fan blades. Reinforced construction at strategic locations and thicker sheet metal ensure the cabinet is pleasantly quiet with a low sound level.

TECHNICAL DATA

BUILT-IN UNIT

MODEL	POWER SUPPLY	CONNECTED POWER	REFRIGERANT
BRIS-600KA	230 V / 10 A	360 W	R-290
BRIS-600UA	230 V / 10 A	620 W	R-290
BRIS-600FA	230 V / 10 A	640 W	R-290

REMOTE COOLING UNIT

MODEL	POWER SUPPLY	CONNECTED POWER	COOLING REQUIREMENT (W)	REFRIGERANT
BRIS-600KC	230 V / 10 A	145 W	250/-8°C	R-134a/R-452A*
BRIS-600UC	230 V / 10 A	605 W	250/-8°C	R-134a/R-452A*
BRIS-600FC	230 V / 10 A	630 W	300/-28°C	R-452A*

*CO2 eller annat Refrigerant kan levereras enligt önskemål efter förfrågan.

BRIS 600 COMBI

REFRIGERATORS FREEZERS

BUILT-IN UNIT

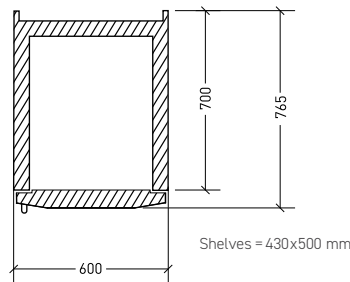
MODEL	TYPE	DIM (mm)
BRIS-600KKA	REFRIGERATOR/REFRIGERATOR	600x765x2160
BRIS-600KFA	REFRIGERATOR/FREEZER	600x765x2160**
BRIS-600NKA	QUICK CHILLER/REFRIGERATOR	600x765x2160
BRIS-600NFA	QUICK CHILLER/FREEZER	600x765x2160**
BRIS-600KFCA	REFRIGERATOR/FREEZER	600x765x2160**

REMOTE COOLING UNIT

MODEL	TYPE	DIM (mm)
BRIS-600KKC	REFRIGERATOR/REFRIGERATOR	600x765x2160
BRIS-600KFC	REFRIGERATOR/FREEZER	600x765x2160
BRIS-600NKC	QUICK CHILLER/REFRIGERATOR	600x765x2160
BRIS-600NFC	QUICK CHILLER/FREEZER	600x765x2160
BRIS-600KFCA	REFRIGERATOR/FREEZER	600x765x2160**

STANDARD: MADE OF ENTIRELY STAINLESS STEEL / 4 STAINLESS STEEL GRID SHELVES / LOCK / EVAPORATOR TRAY IN STAINLESS STEEL / LOW-ENERGY FAN / HYGIENE TOP COVER (REMOTE COOLING UNIT) / PROTECTIVE COATED EVAPORATOR

Cabinets with remote cooling unit can be supplied for all refrigerants available on the market, either with a thermal expansion valve or an electronic expansion valve. The includes valve for R-452A (freezer) or R-134a (refrigerator).



CAPACITY:

QUICK CHILLER = 15KG (4H)
BLAST CHILLER = 7.5KG (90 MIN)

TECHNICAL DATA

BUILT-IN UNIT

MODEL	POWER SUPPLY	CONNECTED POWER	CHILLING CAPACITY	REFRIGERANT
BRIS-600KKA	230V / 10A	625 W **	-	R-290
BRIS-600KFA	230V / 10A	650 W **	-	R-290
BRIS-600NKA	230V / 10A	1050 W **	15 KG (4h)	R-290
BRIS-600NFA	230V / 10A	1080 W **	15 KG (4h)	R-290

REMOTE COOLING UNIT

MODEL	POWER SUPPLY	CONNECTED POWER	CHILLING CAPACITY	COOLING REQUIREMENT (W)	REFRIGERANT
BRIS-600KKC	230V / 10A	125 W **	-	300/-8°C	R-134a/R-452A*
BRIS-600KFC	230V / 10A	625 W **	-	200/-8°C + 200/-28°C	R-134a/R-452A*
BRIS-600NKC	230V / 10A	680 W **	15 KG (4h)	900/-10°C + 200/-8°C	R-134a/R-452A*
BRIS-600NFC	230V / 10A	680 W **	15 KG (4h)	900/-10°C + 200/-28°C	R-134a/R-452A*

*CO2 or other refrigerant can be supplied upon request.

**Can be delivered with 2 separate connections.

BRIS 600
COMBI



ADJUSTABLE
LEGS
130-180 mm

LACK OF FLOOR
SPACE?

Expand upwards with our
multi-purpose cabinets,
available in many
different versions.

BRIS 850

REFRIGERATORS FREEZERS

BUILT-IN UNIT

MODEL	TYPE	DIM (mm)
BRIS-850KA	REFRIGERATOR	850x765x2160
BRIS-850UA	EXTENDED REFRIGERATOR*	850x765x2160
BRIS-850FA	FREEZER	850x765x2160 **

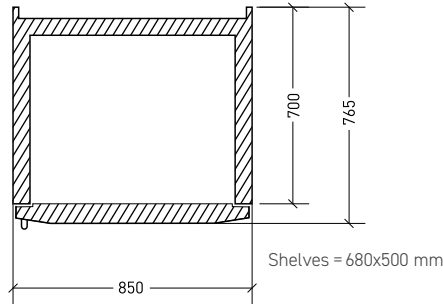
REMOTE COOLING UNIT

MODEL	TYPE	DIM (mm)
BRIS-850KC	REFRIGERATOR	850x765x2160
BRIS-850UC	EXTENDED REFRIGERATOR*	850x765x2160
BRIS-850FC	FREEZER	850x765x2160
BRIS-850KCL	REFRIGERATOR	850x765x1950
BRIS-850FCL	FREEZER	850x765x1950

STANDARD: LOCK / MADE OF ENTIRELY STAINLESS STEEL / 5 STAINLESS STEEL GRID SHELVES / EVAPORATOR TRAY IN STAINLESS STEEL / PROTECTIVE COATED EVAPORATOR / HYGIENE TOP COVER (REMOTE COOLING UNIT) / LOW-ENERGY FAN

*Electrical defrosting, thawing function and dry cooling, temperature range = -5°C – +12°C.

Cabinets with remote cooling unit can be supplied for all refrigerants available on the market, either with a thermal expansion valve or an electronic expansion valve. The includes valve for R-452A (freezer) or R-134a (refrigerator).



ADJUSTABLE LEGS
130–180 mm

LOW SOUND, PLEASANTLY QUIET

The BRIS series is equipped with speed-controlled fans with sound-optimised fan blades. Reinforced construction at strategic locations and thicker sheet metal ensure the cabinets are pleasantly quiet with a low sound level.

TECHNICAL DATA

BUILT-IN UNIT

MODEL	POWER SUPPLY	CONNECTED POWER	REFRIGERANT
BRIS-850KA	230V / 10A	360 W	R-290
BRIS-850UA	230V / 10A	810 W	R-290
BRIS-850FA	230V / 10A	840 W	R-290

REMOTE COOLING UNIT

MODEL	POWER SUPPLY	CONNECTED POWER	COOLING REQUIREMENT (W)	REFRIGERANT
BRIS-850KC	230V / 10A	145 W	300 / -8°C	R-134a/R-452A*
BRIS-850UC	230V / 10A	605 W	300 / -8°C	R-134a/R-452A*
BRIS-850FC	230V / 10A	630 W	350 / -28°C	R-452A*

*CO2 or other refrigerant can be supplied upon request.

BRIS 850 COMBI

REFRIGERATORS FREEZERS

BUILT-IN UNIT

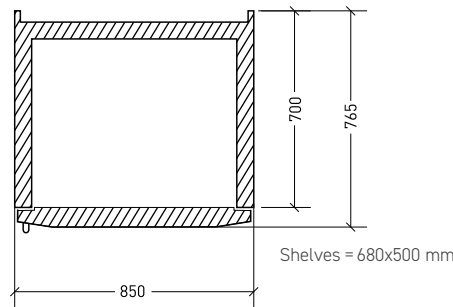
MODEL	TYPE	DIM (mm)
BRIS-850KKA	REFRIGERATOR/REFRIGERATOR	850x765x2160
BRIS-850KFA	REFRIGERATOR/FREEZER	850x765x2160**
BRIS-850NKA	QUICK CHILLER/REFRIGERATOR	850x765x2160
BRIS-850NFA	QUICK CHILLER/FREEZER	850x765x2160**
BRIS-850KFA	REFRIGERATOR/FREEZER	850x765x2160**

REMOTE COOLING UNIT

MODEL	TYPE	DIM (mm)
BRIS-850KCC	REFRIGERATOR/REFRIGERATOR	850x765x2160
BRIS-850KFC	REFRIGERATOR/FREEZER	850x765x2160
BRIS-850NCC	QUICK CHILLER/REFRIGERATOR	850x765x2160
BRIS-850NFC	QUICK CHILLER/FREEZER	850x765x2160
BRIS-850KFA	REFRIGERATOR/FREEZER	850x765x2160**

STANDARD: MADE OF ENTIRELY STAINLESS STEEL / 4 STAINLESS STEEL GRID SHELVES / LOCK / EVAPORATOR TRAY IN STAINLESS STEEL / LOW-ENERGY FAN / HYGIENE TOP COVER (REMOTE COOLING UNIT) / PROTECTIVE COATED EVAPORATOR / TIMER CONTROLLED COOLING UNIT

Cabinets with remote cooling unit can be supplied for all refrigerants available on the market, either with a thermal expansion valve or an electronic expansion valve. The includes valve for R-452A (freezer) or R-134a (refrigerator).



CAPACITY:

QUICK CHILLER = 25KG (4H)
BLAST CHILLER = 7.5KG (90 MIN)

BRIS 850
COMBI



ADJUSTABLE
LEGS
130-180 mm

LACK OF FLOOR SPACE?

Expand upwards with our multi-purpose cabinets, available in many different versions.

TECHNICAL DATA

BUILT-IN UNIT

MODEL	POWER SUPPLY	CONNECTED POWER	CHILLING CAPACITY	REFRIGERANT
BRIS-850KKA	230V / 10A	625 W **	-	R-290
BRIS-850KFA	230V / 10A	650 W **	-	R-290
BRIS-850NKA	230V / 10A	1050 W **	25 KG (4h)	R-290
BRIS-850NFA	230V / 10A	1050 W **	25 KG (4h)	R-290

REMOTE COOLING UNIT

MODEL	POWER SUPPLY	CONNECTED POWER	CHILLING CAPACITY	COOLING REQUIREMENT (W)	REFRIGERANT
BRIS-850KCC	230V / 10A	125 W **	-	300 / -8°C	R-134a/R-452A*
BRIS-850KFC	230V / 10A	650 W **	-	200 / -8°C + 250 / -28°C	R-134a/R-452A*
BRIS-850NCC	230V / 10A	875 W **	25 KG (4h)	1100 / -10°C + 200 / -8°C	R-134a/R-452A*
BRIS-850NFC	230V / 10A	875 W **	25 KG (4h)	1100 / -10°C + 250 / -28°C	R-134a/R-452A*

*CO2 or other refrigerant can be supplied upon request.

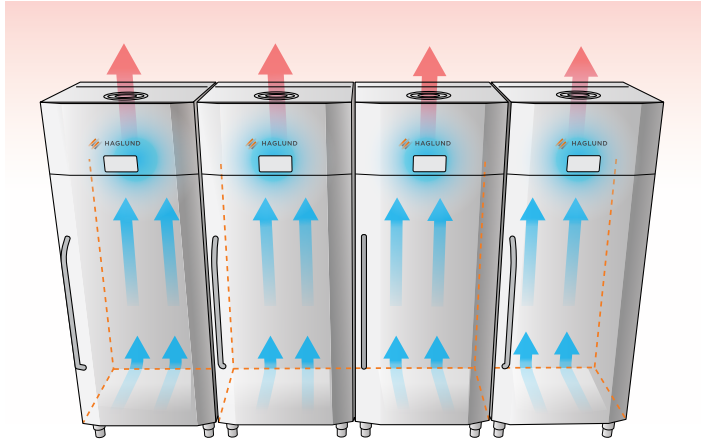
**Can be delivered with double separate connections.

ENERGY-EFFICIENT ON PAPER, EVEN MORE ENERGY-EFFICIENT IN REALITY

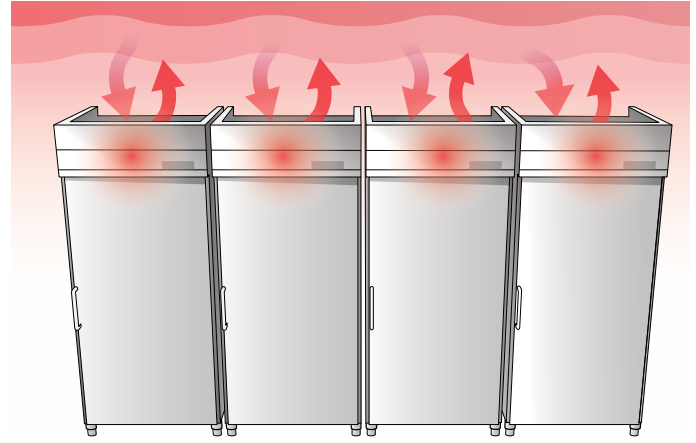
COOLING ACCORDING TO THE LAWS OF THERMODYNAMICS

COLD AIR FALLS, SO WE EXTRACT THE COLD AIR AT FLOOR LEVEL WHERE IT IS COOLEST AND TAKE IT TO THE COMPRESSOR. THIS REDUCES ENERGY CONSUMPTION, AND THE DIFFERENCE IS MOST NOTICEABLE IN THE REAL WORLD.

HAGLUND BRIS



TRADITIONAL CABINETS



ADVANTAGES:

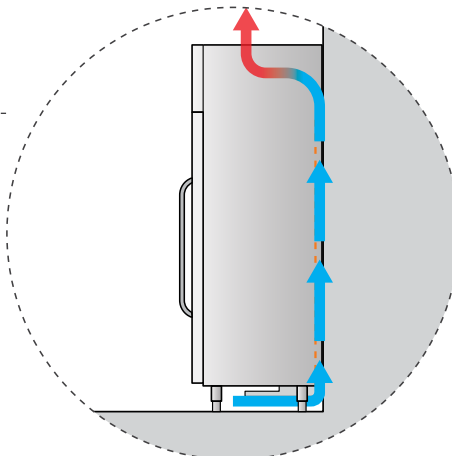
- More energy-efficient operation, which makes a big difference in real operation.
- Shorter operating times for the compressor results in less noise and a longer lifespan for the compressor and other components.
- Hygiene top cover, even on refrigerator/freezer cabinets with a built-in compressor.
- The products work well even in confined spaces with low ceilings.
- Lower noise level.
- Several cabinets can be placed next to each other, fresh cold air is constantly circulated upwards to the compressor compartment.
- The cabinet can be placed directly against interior, exterior or cold room walls.
- Saving space and reducing the risk of condensation as the space is ventilated.
- The temperature that cools the compressor rarely exceeds 20-25 degrees.

COMMON PROBLEMS:

- The compressor overheats.
- No Hygiene top cover means that lots of dirt accumulates that cannot be cleaned.
- When multiple cabinets are placed next to each other they heat up the air. The need to withstand high ambient temperatures is increasing.
- Problems maintaining the temperature inside the cabinet.
- The temperature that cools the compressor can reach 40-45 degrees, especially when several cabinets are placed next to each other in confined spaces.
- Lifespan of all components is significantly shortened.
- High energy consumption.

INTEGRATED AIR CHANNEL AT THE BACK

Cool air is sucked from the floor to the compressor via an integrated channel at the back, meaning the cabinet can be placed against the wall without needing an air gap.



ACCESSORIES BRIS CABINETS

BRIS 600 / BRIS 600 COMBI / BRIS 850 / BRIS 850 COMBI / BRIS 600 BAKERY CABINET

ACCESSORIES BRIS REFRIGERATOR/FREEZER

BRIS 600 BRIS 850

LIGHTING (LED)*	_____
FOOT PEDAL	_____
STAINLESS STEEL GRID SHELF (WITHOUT GUIDES)	_____
EXTRA PAIR OF GUIDES	_____
MOBILE DESIGN	_____
STAINLESS STEEL PERFORATED SHELVES INSTEAD OF GRID SHELVES (5 PCS)	_____
STAINLESS STEEL PERFORATED SHELF	_____
MARINE DESIGN	_____
CUSTOMISED HEIGHT, DEPTH OR WIDTH	_____
ELECTRONIC HYGROSTAT FOR HUMIDITY CONTROL	_____
STAINLESS STEEL BACK	_____

*Only top cabinet on combi cabinet

ACCESSORIES BRIS REFRIGERATOR/FREEZER FULL DOOR

BRIS-600 BRIS-850

GLASS DOOR (REFRIGERATOR)	_____
GLASS DOOR (FREEZER)	_____
LIGHTING GLASS DOOR	_____
PASS-THROUGH CABINET	_____
ROLL-IN CABINET	_____
PARTITIONED CASE	_____

ACCESSORIES BRIS-CABINET COMBI

BRIS-600 BRIS-850

GLASS DOOR (REFRIGERATOR)	_____
GLASS DOOR (FREEZER)	_____
LIGHTING GLASS DOOR	_____
CONTROL UNIT W. INSERT SENSOR (CHILLING)	_____
TOUCH PANEL INCL. INSERT SENSOR (CHILLING)	_____
LOCKED BASE CABINET	_____

OTHER REFRIGERANTS PLEASE NOTE! APPLIES PER CABINET COMPARTMENT

OTHER REFRIGERANT THERMAL EXPANSION VALVE (E.G. R-407, R-448, R-449, etc.)	_____
BRINE (REFRIGERATOR ONLY)	_____
WATER-COOLED UNIT	_____

DANFOSS C02 80 BAR

EVAPORATOR 80BAR, AKC550 EEV, MODBUS, DANFOSS DISPLAY	_____
DANFOSS LON-MODULE	_____

CAREL C02 80 BAR

EVAPORATOR 80BAR, EVD EVOLUTION, ULTRACAP, CAREL DISPLAY	_____
CAREL MPX PRO SUPPLEMENTARY	_____
CAREL PROGRAMMING DISPLAY EVD EVOLUTION (EEV)	_____

OTHER OPTIONS

CAREL SERIAL CONNECTION MODULE	_____
--------------------------------	-------

BRIS CO₂



NOISELESS



EFFICIENT



ECO-FRIENDLY

THE DEMAND FOR CO₂ CABINETS IS CONSTANTLY INCREASING

WE ARE NOW LAUNCHING A RANGE OF CABINETS DEVELOPED AND ADAPTED SPECIFICALLY FOR CO₂ WHICH, IN ADDITION TO ITS COMPACT DESIGN, PROBABLY THE SMALLEST ON THE MARKET IN RELATION TO THE LOADABLE AREA, PROVIDES VERY ENERGY-EFFICIENT OPERATION AS THE CABINET'S COOLING SYSTEM IS OPTIMISED FOR ENVIRONMENTALLY FRIENDLY OPERATION WITH CO₂.



DEVELOPED, MANUFACTURED AND TESTED IN SWEDEN

This product, like all the others in our catalogue, is of course developed and manufactured in our own Swedish factory.

SAME QUALITY, SAME INTERIOR VOLUME, SAME COMPACT MEASUREMENTS

The product is manufactured in the same moulds as our BRIS cabinets and has the same net volume as our taller cabinets. The only thing we reduced is the installation space.

COMPLETE WITH CONTROL UNIT AND VALVES, READY FOR PLUGGING IN.

It should be easy to use and install our products, so we always deliver the product complete with controls, valves and everything needed to easily plug it into a cooling unit.

BRIS CO₂

CABINET

CO₂

MODEL	TYPE	DIMENSIONS
BRIS-850KCL	REFRIGERATOR	850x765x1950
BRIS-850FCL	FREEZER	850x765x1950

STANDARD: CAREL ELECTRONIC EXPANSION VALVE / HACCP MONITORING / REAL-TIME CLOCK / ADVANCED TEMPERATURE CONTROLLER / 5 GRID SHELVES IN STAINLESS STEEL / HYGIENE TOP COVER (REMOTE COOLING UNIT) / FOOT PEDAL / LIGHTING / AUTOMATIC VALVE CLOSURE IN CASE OF POWER FAILURE / MODBUS-COMMUNICATION INTEGRATED / CAREL ULTRACAP

EXTRA EQUIPMENT

CAREL PROGRAMMINGSDISPLAY
CAREL MODBUS-KOMMUNIKATION
DANFOSS AKC550 STYRNING
DANFOSS DISPLAY
LON-KOMMUNIKATION (DANFOSS)



BRIS CO₂

TECHNICAL DATA

BUILT-IN UNIT

MODEL	POWER SUPPLY	CONNECTED POWER	COOLING REQUIREMENT (W)	REFRIGERANT
BRIS-850KCL	230V/10A	150W	300/-5°C	R-744(CO ₂)

REMOTE COOLING UNIT

MODEL	POWER SUPPLY	CONNECTED POWER	COOLING REQUIREMENT (W)	REFRIGERANT
BRIS-850FCL	230V/10A	650W	350/-28°C	R-744(CO ₂)

MODULAR COLD ROOMS & FREEZER ROOMS

VERTICAL REFRIGERATORS & FREEZER CABINETS

TINA THAWING CABINET

BLAST CHILLER / FREEZER

REFRIGERATED COUNTERS

SERVING COOLING / HEATING

REFRIGERATED WALL DISPLAY

REFRIGERATED DISPLAYS

REFRIGERATED WINE & BEER DISPLAY



HAGLUND INDUSTRI AB
STORA VÄGEN 8, 523 61 GÄLLSTAD, SWEDEN / VÄXEL: +46 (0) 321-299 90
INFO@HAGLUNDINDUSTRI.SE / WWW.HAGLUNDINDUSTRI.SE



**HAGLUND
INDUSTRI**
KYLA I ALLA FORMER