

HAGLUND INDUSTRI

REFRIGERATED DISPLAYS 2024



HAGLUND INDUSTRI
KYLA | ALLA FORMER

150 YEARS OF INNOVATION CAN BE SEEN IN THE DETAILS

For five generations, the Haglund family has had its own production at the factory in Sweden. From the early sheet metal workshop to today's high-quality refrigerators, the basic recipe has remained the same: listen to customers, pay attention to details and never stop developing technology and functionality. This tradition is what's built into all our products, giving them a finish and durability that makes us slightly unique. The products are also thoroughly tested, first by us and then by our customers. Try for yourself and notice the difference.

FEEL FREE TO CONTACT US FOR A ESTIMATE

Every restaurant and hospitality establishment has its own needs and specific requirements. We are happy to help you find a solution that suits your needs the best. Call or email us and tell us what you need and we will give you a proposal and ON REQUEST.

EMAIL US: SALES@HAGLUNDINDUSTRI.SE

OR CALL: +46 (0) 321-29 990

3 REFRIGERATED DISPLAYS

5 SMAKA REFRIGERATED DISPLAY

7 REFRIGERATED DISPLAY / PASTRY DISPLAY

9 REFRIGERATED COUNTER & SELF-SERVE DISPLAY

10 SELF-SERVE DISPLAY

11 DELIKAT DELI COUNTERS



**HAGLUND
INDUSTRI**
KYLA I ALLA FORMER

REFRIGERATED DISPLAYS

REFRIGERATED DISPLAY / REFRIGERATED COUNTER & REFRIGERATED SELF-SERVE DISPLAY / SELF-SERVE DISPLAY STANDS

OUR STANDS AND DISPLAYS HAVE BEEN DEVELOPED AND REFINED OVER MANY YEARS. OUR GOAL HAS BEEN TO DEVELOP THE MOST ENERGY-EFFICIENT STANDS AND DISPLAYS ON THE MARKET WITH A BUILD QUALITY WE ARE PROUD OF. THE MATERIALS WE USE ARE ALWAYS HIGH QUALITY AND OPTIMISED FOR THE LOWEST POSSIBLE ENERGY CONSUMPTION. WE WANT TO MAKE SURE THAT OUR PROFESSIONAL KITCHEN CUSTOMERS HAVE THE BEST TOOLS FOR THE SUCCESSFUL, HIGH-QUALITY DISPLAY OF THEIR FOOD PRODUCTS! THE DISPLAYS FROM HAGLUND INDUSTRI ARE LIKE THE REST OF OUR PRODUCTS, MADE IN SWEDEN.

REFRIGERATED DISPLAY: ATTRACTIVE DISPLAY



**STYLISH
INTEGRATED LED
LIGHTING ON EVERY
SHELF.**



TWO TEMPERATURE ZONES (OPTIONAL)

Intermediate wall for two temperature zones and separated spaces.



STAINLESS STEEL FRAME

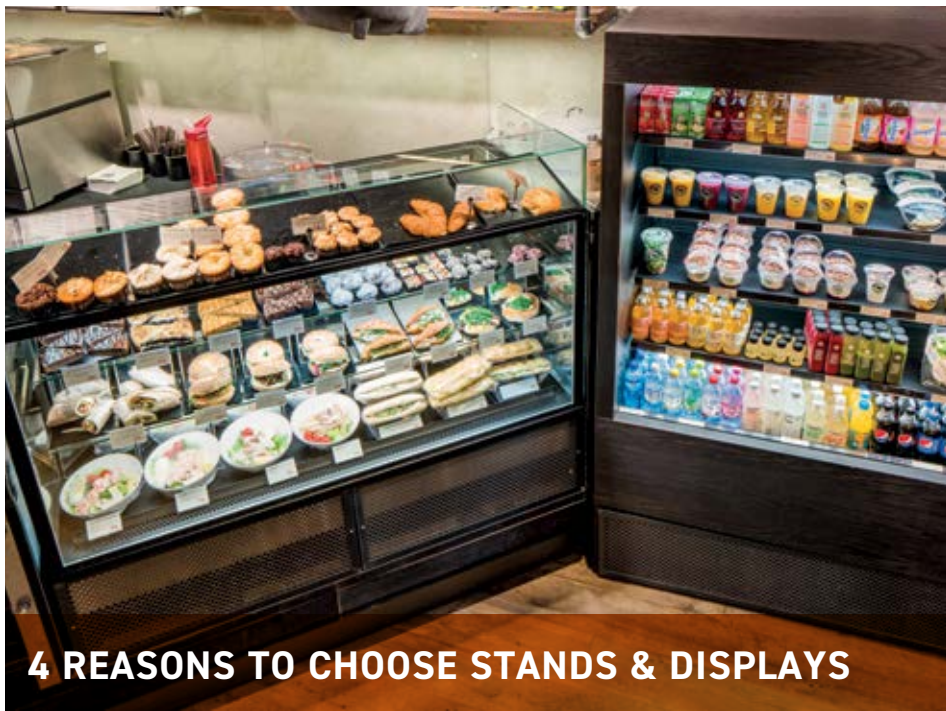
Fronts, ends, top, and sliding doors made from insulated glass.

EVEN COOLING

Ingenious air distribution system developed by us distributes the cold air evenly across all shelves. This gives the products a longer shelf life and reduces energy consumption.



*The stand in the picture has optional equipment and is not the standard version.



4 REASONS TO CHOOSE STANDS & DISPLAYS

1. EXPOSURE

Perfect for your serving line for displaying sandwiches, pastries, salads, sauces, etc. Easy to fill from the inside.

2. EFFICIENT COOLING SYSTEM

All our products are extensively tested in harsh environments and we have a proprietary technology to cool the compressor effectively and ensure a long product life.

3. EVEN TEMPERATURE THROUGHOUT THE WHOLE STAND

Our unique air distribution system provides very even cooling throughout the stand.

4. FLEXIBLE

We can produce stands and displays with other dimensions if required.



**REFRIGERATED
COUNTER &
REFRIGERATED
STAND**

ELECTRONIC CONTROL

Separate switch to turn off lighting.

**UV BONDED
GLASS DISPLAY
CASE WITHOUT
FRAME**



SMAKA REFRIGERATED DISPLAY

NEW! SELF-SERVICE AND COMMERCIAL DISPLAY

SMAKA IS A BRAND NEW RANGE OF DISPLAYS. DESIGNED TO COMPLEMENT MODERN ENVIRONMENTS – PRIMARILY CAFÉS – AND SHOWCASE YOUR PRODUCTS ATTRACTIVELY, RIGHT IN FRONT OF THE CUSTOMER. FEATURES SUCH AS LOW ENERGY CONSUMPTION, STYLISH DESIGN AND EASY CLEANING HAVE LED MANY CAFÉS TO CHOOSE SMAKA FROM THE START. THEY ALSO APPRECIATE THE FLEXIBILITY AND ABILITY TO CREATE CUSTOMISED VERSIONS.



MONSUN COOLING UNIT

This energy-efficient chiller was developed by our engineers and product developers, giving you a very low operating cost and long product life.

WIDE RANGE

We have a wide range of stands in standard designs and we can also easily customise them to your requirements.

REMOVABLE DUST FILTER

Easy maintenance for our end users is something we are working to improve. The removable dust filter and a control unit that sounds an alarm when it is time to clean the filter makes it easier for you and minimises the risk of problems with cooling while extending the life of the unit.



Image: Equipped with sneeze guard and 2 shelves instead of 3.

SMAKA
16SA



Image: Equipped with optional night blind.

SMAKA
08HA

AIR PILLAR

Our proprietary and unique air distribution technology provides very even cooling and ensures minimal product dry out while shelf size and surface area for products is maximised.



SOFT CLOSE SLIDING DOORS (OPTIONAL)

High-quality stainless steel ball bearings and soft-close doors that lift when opened, for long life and providing easy to clean surface.

INTEGRATED NIGHT BLIND (OPTIONAL)



SMAKA

REFRIGERATED DISPLAYS

CLOSED REFRIGERATED DISPLAYS

MODEL	SHELVES	DIMENSIONS
SMAKA-06SA	3	600x700x1300
SMAKA-08SA	3	800x700x1300
SMAKA-10SA	3	1000x700x1300
SMAKA-12SA	3	1200x700x1300
SMAKA-14SA	3	1400x700x1300
SMAKA-16SA	3	1600x700x1300
SMAKA-20SA	3	2000x700x1300

EXTRA EQUIPMENT

GLASS DISPLAY
SNEEZE GUARD
TILT OUT GLASSFRONT

SMAKA 16SA



Image: Equipped with sneeze guard and 2 shelves instead of 3.

NEW!
Now with the eco-friendly R-290 refrigerant!

REFRIGERATED DISPLAYS WITH TWO SEPARATED TEMPERATURE ZONES

MODEL	LEFT ZONE	RIGHT ZONE	DIMENSIONS
SMAKA-D16SA-01	600 mm	1 000 mm	1600x700x1300
SMAKA-D16SA-02	800 mm	800 mm	1600x700x1300
SMAKA-D20SA-01	600 mm	1 400 mm	2000x700x1300
SMAKA-D20SA-02	800 mm	1 200 mm	2000x700x1300
SMAKA-D20SA-03	1 000 mm	1 000 mm	2000x700x1300
SMAKA-D24SA-01	800 mm	1 600 mm	2400x700x1300
SMAKA-D24SA-02	1 000 mm	1 400 mm	2400x700x1300
SMAKA-D24SA-03	1 200 mm	1 200 mm	2400x700x1300

EXTRA EQUIPMENT

GLASS DISPLAY
SNEEZE GUARD
TILT OUT GLASSFRONT

OPEN REFRIGERATED DISPLAYS (INTENDED FOR BEVERAGES)

MODEL	SHELVES	DIMENSIONS (mm)
SMAKA-08A	2 ST	800x700x1300
SMAKA-10A	2 ST	1000x700x1300
SMAKA-08HA	3 ST	800x700x1500
SMAKA-10HA	3 ST	1000x700x1500

EXTRA EQUIPMENT

GLASS DISPLAY
SNEEZE GUARD

SMAKA 08HA



Image: Equipped with optional night blind.

NEW!
Now with the eco-friendly R-290 refrigerant!

NEUTRAL DISPLAY

MODEL	SHELF DIM (mm)	DIMENSIONS (mm)
SMAKA-08SN	685x560	800x700x1300
SMAKA-10SN	885x560	1000x700x1300
SMAKA-12SN	1085x560	1200x700x1300
SMAKA-14SN	1285x560	1400x700x1300
SMAKA-16SN	1485x560	1600x700x1300
SMAKA-18SN	2x(805x560)	1800x700x1300
SMAKA-20SN	2x(805x560)	2000x700x1300

STANDARD: STAINLESS STEEL FRAME / UNIQUE AIR DISTRIBUTION TECHNOLOGY FOR UNIFORM TEMPERATURE IN THE STAND / LED LIGHTING ON EACH SHELF / CLOSED TO CUSTOMER, SLIDING DOORS ON PERSONNEL SIDE / INSULATED GLASS

ACCESSORIES SMAKA

ALL SMAKA REFRIGERATED DISPLAYS

EXTRA EQUIPMENT

SOFT CLOSE HANGING SLIDING GLASS WITH
STAINLESS STEEL
BALL BEARINGS MIN. WIDTH 800 mm
LOCK
INCLINED GLASS FRONT
INCLINED SHELVES
OTHER DEPTH
OTHER HEIGHT
2 SHELVES INSTEAD OF 3
LED 2700K

EXTRA EQUIPMENT

REMOTE COOLING UNIT
BRINE
WATER-COOLED UNIT
CO2 REFRIGERANT
NIGHT BLIND (OPEN STANDS)
SLIDING DOORS AT THE FRONT (800-2000)
INTERIOR MIRROR
RECESS FRONT, CUSTOM MEASUREMENTS
ELECTRONIC HYGROSTAT



TECHNICAL DATA

REMOTE COOLING UNIT

MODEL	CONNECTED POWER*	POWER SUPPLY	COOLING REQUIREMENT (W)	REFRIGERANT
SMAKA-06SC	200 W	230 V/10 A	400/-10°C	*
SMAKA-08SC	200 W	230 V/10 A	500/-10°C	*
SMAKA-10SC	200 W	230 V/10 A	550/-10°C	*
SMAKA-12SC	200 W	230 V/10 A	600/-10°C	*
SMAKA-14SC	200 W	230 V/10 A	700/-10°C	*
SMAKA-16SC	200 W	230 V/10 A	800/-10°C	*
SMAKA-20SC	250 W	230 V/10 A	1000/-10°C	*
SMAKA-24SC	250 W	230 V/10 A	1200/-10°C	*
SMAKA-08C	200 W	230 V/10 A	800/-10°C	*
SMAKA-10C	200 W	230 V/10 A	1000/-10°C	*
SMAKA-08HC	200 W	230 V/10 A	1100/-10°C	*
SMAKA-10HC	200 W	230 V/10 A	1300/-10°C	*

BUILT-IN UNIT

MODEL	CONNECTED POWER*	POWER SUPPLY	REFRIGERANT
SMAKA-06SA	500 W	230 V/10 A	R-290
SMAKA-08SA	500 W	230 V/10 A	R-290
SMAKA-10SA	600 W	230 V/10 A	R-290
SMAKA-12SA	600 W	230 V/10 A	R-290
SMAKA-14SA	800 W	230 V/10 A	R-290
SMAKA-16SA	800 W	230 V/10 A	R-290
SMAKA-20SA	950 W	230 V/10 A	R-290
SMAKA-08A	800 W	230 V/10 A	R-290
SMAKA-10A	800 W	230 V/10 A	R-290
SMAKA-08HA	800 W	230 V/10 A	R-290
SMAKA-10HA	800 W	230 V/10 A	R-290
SMAKA-D16SA-01	800 W	230 V/10 A	R-290
SMAKA-D16SA-02	800 W	230 V/10 A	R-290
SMAKA-D20SA-01	950 W	230 V/10 A	R-290
SMAKA-D20SA-02	950 W	230 V/10 A	R-290
SMAKA-D20SA-03	950 W	230 V/10 A	R-290
SMAKA-D24SA-01	1200 W	230 V/10 A	R-290
SMAKA-D24SA-02	1200 W	230 V/10 A	R-290
SMAKA-D24SA-03	1200 W	230 V/10 A	R-290

*On Request

REFRIGERATED COUNTER & REFRIGERATED SELF-SERVE DISPLAY

STANDS / COUNTERS

COOLING WELL WITH BUILT-IN COOLING UNIT

MODEL	MODEL	DOORS	DIMENSIONS (mm)
MMKB-08A	MMKB-08A-RAK	1 ST	800x650x900/1700
MMKB-12A	MMKB-12A-RAK	2 ST	1200x650x900/1700
MMKB-16A	MMKB-16A-RAK	2 ST	1600x650x900/1700

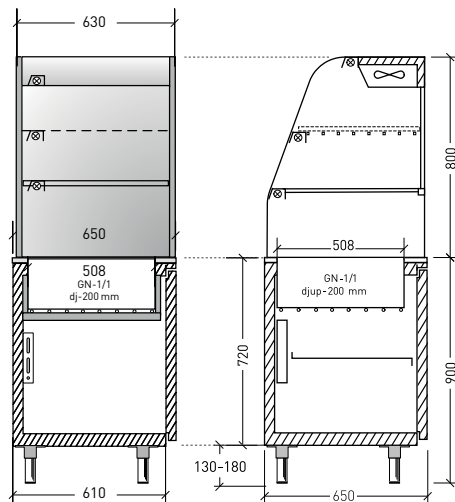
COOLING WELL WITH REMOTE COOLING UNIT

MODEL	MODEL	DOORS	DIMENSIONS (mm)
MMKB-08C	MMKB-08C-RAK	1 ST	800x650x900/1700
MMKB-12C	MMKB-12C-RAK	2 ST	1200x650x900/1700
MMKB-16C	MMKB-16C-RAK	2 ST	1600x650x900/1700

STANDARD: REFRIGERATED STAND WITH FRAME IN STAINLESS STEEL / GLASS IN SIDE PANEL / SLIDING INSULATED GLASS DOORS ON PERSONNEL SIDE / OPENABLE DOOR ON CUSTOMER SIDE / REFRIGERATED COUNTER MADE ENTIRELY OF STAINLESS STEEL / REFRIGERATED LOWER CABINET WITH REMOVABLE SHELF / SUPPLIED WITH BUILT-IN COOLING UNIT OR REMOTE COOLING UNIT / LIGHTING ON EACH SHELF (3) / COOLING WELL FOR BEVERAGES WITH SEPARATE CONTROL / ROUND-UP

EXTRA EQUIPMENT

C02



REFRIGERATED
COUNTER &
REFRIGERATED
STAND



50%
AIR HUMIDITY
+22°C

ALL MODELS
CAN BE SUPPLIED
IN A STRAIGHT
OR ROUND-UP
DESIGN

SEPARATE
UPPER AND
LOWER COOLING
SYSTEMS

TECHNICAL DATA

BUILT-IN UNIT

MODEL	POWER SUPPLY	CONNECTED POWER	REFRIGERANT
MMKB-08A	230/10A	600 W	R-290
MMKB-12A	230/10A	700 W	R-290
MMKB-16A	230/10A	700 W	R-290

REMOTE COOLING UNIT

MODEL	POWER SUPPLY	CONNECTED POWER	COOLING REQUIREMENT (W)	REFRIGERANT
MMKB-08C	230/10A	200 W	600 W/-10°C	R-134a/R-452A*
MMKB-12C	230/10A	200 W	700 W/-10°C	R-134a/R-452A*
MMKB-16C	230/10A	200 W	800 W/-10°C	R-134a/R-452A*

*C02 or other refrigerant can be supplied upon request.

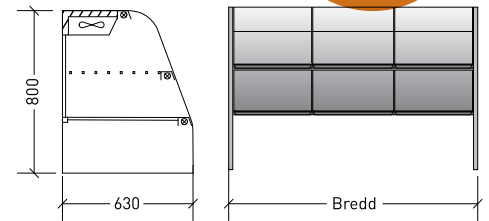
SELF-SERVE DISPLAY

DISPLAYS

REFRIGERATED SELF-SERVE DISPLAYS

MODEL	MODEL	DIMENSIONS (mm)
RUK-800	RUK-800-RAK	800
RUK-1200	RUK-1200-RAK	1200
RUK-1600	RUK-1600-RAK	1600

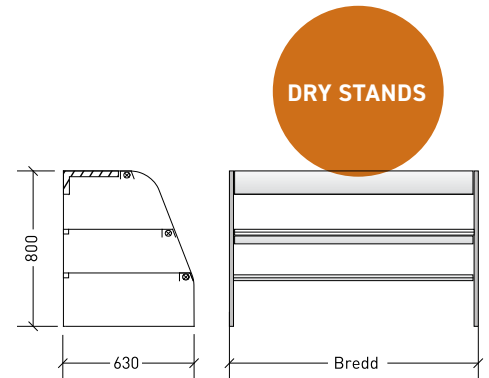
STANDARD: STAINLESS STEEL FRAME / GLASS IN SIDE PANEL / SLIDING INSULATED GLASS DOORS ON DISPATCH SIDE / OPENABLE DOOR ON CUSTOMER SIDE / UPPER SHELF IS A GRID SHELF / LOWER SHELF MADE FROM INSULATED GLASS / TO BE CONNECTED TO REMOTE COOLING UNIT OR A SEPARATE CHILLING UNIT / FAN EVAPORATOR GIVES AN EVEN TEMPERATURE THROUGHOUT THE WHOLE STAND / LIGHTING ON EACH SHELF (3) / OPENING HATCHES ON THE CUSTOMER SIDE



NEUTRAL DISPLAY

MODEL	MODEL	DIMENSIONS (mm)
RUT-800	RUT-800-RAK	800
RUT-1200	RUT-1200-RAK	1200
RUT-1600	RUT-1600-RAK	1600

STANDARD: STAINLESS STEEL FRAME / GLASS SIDE IN PANEL / SNEEZE GUARD ON THE CUSTOMER SIDE / OPEN ON THE CUSTOMER SIDE / GLASS SHELVES / LIGHTING ON EACH SHELF (3.)

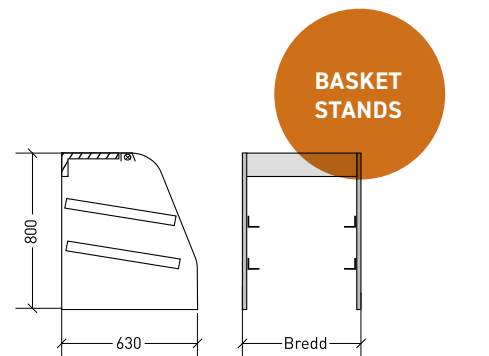


DISPLAY ADAPTED FOR DISHWASHER RACKS

MODEL	MODEL	BASKETS	DIMENSIONS (mm)
RUD-1	RUD-1-RAK	2	570
RUD-2	RUD-2-RAK	4	1095

STANDARD: STAINLESS STEEL FRAME / GLASS SIDE IN PANEL / 2 PAIRS OF GUIDES FOR DISHWASHER RACKS 500x500 mm

EXTRA EQUIPMENT
BUILT-IN COOLING UNIT



TECHNICAL DATA

BUILT-IN UNIT

MODEL	POWER SUPPLY	CONNECTED POWER	COOLING REQUIREMENT (W)	REFRIGERANT
RUK-800	230V/10A	300 W	500	R-290
RUK-1200	230V/10A	300 W	700	R-290
RUK-1600	230V/10A	400 W	900	R-290

DELIKAT DELI COUNTERS

EFFECTIVE EXPOSURE

DELIKAT IS THE NAME OF A NEW SERIES OF DELI-COUNTERS. GIVE YOUR FINEST PRODUCTS THE TASTEFUL PRESENTATION THEY DESERVE. STYLISH DESIGN AND ROBUST CONSTRUCTION WITH ENERGY-EFFICIENT TECHNOLOGY. DELIKAT IS EQUALLY SUITABLE FOR SELLING CHEESE, MEAT, CHARCUTERIE OR SEAFOOD. WE MATCH THE INTERIOR TO THE PRODUCTS. IN THE FISH VERSION, ALL STAINLESS STEEL IS ACID-RESISTANT THE ENTIRE SURFACE CAN BE RINSED AND THE DRAIN HAS A STRAINER BASKET.



CUTTING BOARDS

Cutting boards that are adapted to the counter are available in different colours to simplify separation of different products.



TILT OUT GLASS FRONT

For easy cleaning and access to product labels from the front.

BUILT TO LAST

DELIKAT is made of stainless steel and tempered glass for the highest quality standards.

LOW-ENERGY FANS

Equipped with our acclaimed energy-efficient fans.

EASY TO KEEP CLEAN

DELIKAT is exceptionally easy to clean. The interior plates are lift up easily for effortless cleaning of the fully welded tub.

IN A NEW LIGHT

The integrated LED lighting is energy efficient but still showcases your delicacies beautifully.



REFRIGERATED DRAWERS

For extra cold storage area, the counters can be fitted with drawers.

DELIKAT

DELI COUNTERS

REMOTE COOLING UNIT - STRAIGHT WITH REFRIGERATED DRAWERS

MODEL	DRAWERS	DIMENSIONS
DELIKAT-120C	2	1200x1150x1220
DELIKAT-160C	3	1600x1150x1220
DELIKAT-200C	4	2000x1150x1220
DELIKAT-240C	5	2400x1150x1220

CORNER STAND

MODEL	DIMENSIONS
DELIKAT-V90C	1700x1150x1220

BUILT-IN UNIT WITH REFRIGERATED DRAWERS

MODEL	DIMENSIONS
DELIKAT-120A	1200x1150x1220
DELIKAT-160A	1600x1150x1220
DELIKAT-200A	2000x1150x1220
DELIKAT-240A	2400x1150x1220

EXTRA EQUIPMENT

DIMMABLE LED
ACCESSORY RAIL
SHELVES
FOLDABLE FRONT GLASS
SILHINK
ACID-PROOF STAINLESS STEEL
STATIC COOLING
STRAIGHT FRONT GLASS
REFRIGERANT



DELIKAT
V90



DELIKAT
160



MODULAR COLD ROOMS & FREEZER ROOMS

VERTICAL REFRIGERATORS & FREEZER CABINETS

TINA THAWING CABINET

BLAST CHILLER / FREEZER

REFRIGERATED COUNTERS

SERVING COOLING / HEATING

REFRIGERATED WALL DISPLAY

REFRIGERATED DISPLAYS

REFRIGERATED WINE & BEER DISPLAY



HAGLUND INDUSTRI AB
STORA VÄGEN 8, 523 61 GÄLLSTAD, SWEDEN / VÄXEL: +46 (0) 321-299 90
INFO@HAGLUNDINDUSTRI.SE / WWW.HAGLUNDINDUSTRI.SE

 **HAGLUND
INDUSTRI**
KYLA I ALLA FORMER